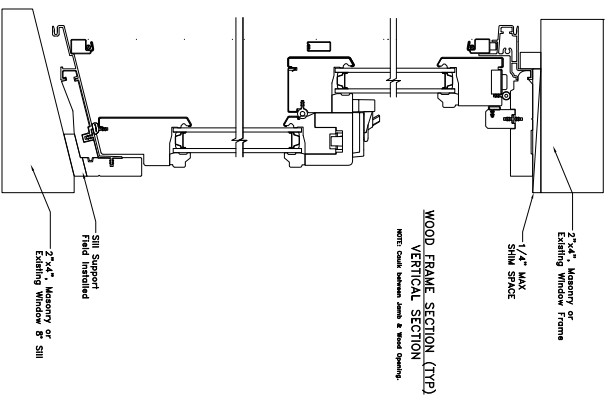
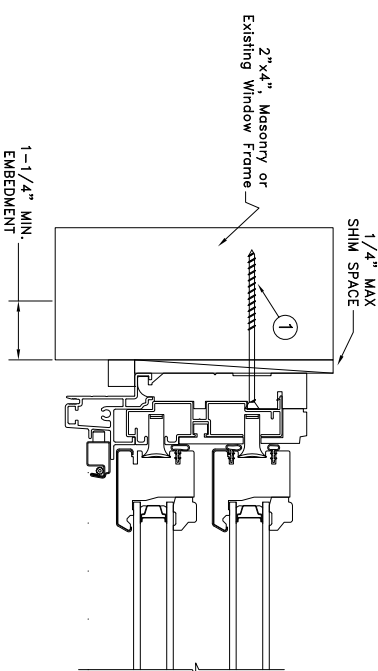


TYPICAL ELEVATION WITH FASTENER SPACING



WOOD FRAME SECTION (TYP)  
VERTICAL SECTION  
NOTE: Caulk between Jamb & Wood Opening.



WOOD FRAME SECTION (TYP)  
HORIZONTAL SECTION  
NOTE: Caulk between Jamb & Wood Opening.

THRU JAMB - 14° SILL  
INSTALLATION

OPERATING POCKET DH WINDOW		
Max Frame	DP	IMPACT
37 3/8 x 78 3/8	+/-50	NO

- Installed Fastener Schedule:**
- All windows: Install corrosion resistant #8 fasteners no more than 4" from each corner and 16" o.c. through pre-drilled in the side jambs of the window.
  - Fasteners must be long enough to penetrate at least 1-1/4" into framing members.

- General Notes:**
- The product shown herein is designed and manufactured to comply with the current edition of the Florida building code.
  - Buck, framing and masonry by others and its responsibility of architect or engineer of record
  - All glazing shall conform to ASTM E1300.
  - At minimum, glazing shall be single strength annealed insulating glass.

REVISION

PROJECT ENGINEER:	J. HAWKINS	DATE:	2/20/13
DRAWN BY:	J. HAWKINS	SCALE:	NTS
CHECKED BY:	D. STOKES	TITLE:	Custom Clad Pocket Double Hung (Concealed Tilt Latch) Thru Jamb Installation (37-3/8" x 78-3/8")
APPROVED BY:	D. YAGLA	PLANT NAME AND LOCATION:	Bend-OR
PART/PROJECT No.:	-	CAD DWG. No.:	CustCLPKTDH Gort
IDENTIFIER No.:	-	REV:	NULL
		SHEET	

This schedule addresses only the fasteners required to anchor the window to achieve the rated design pressure and impact performance (where applicable) up to the size limitations noted. It is not intended as a guide to the installation process and does not address the sealing consideration that may arise in different wall conditions. For the complete installation procedure, see the instructions packaged with the window or go to [www.jeld-wen.com/resources/installation](http://www.jeld-wen.com/resources/installation).

DISCLAIMER: This drawing and its contents are confidential and are not to be reproduced or copied in whole or in part or used or disclosed to others except as authorized by JELD-WEN Inc.

3737 LAKEPORT BLVD,  
KIAMATH FALLS OR, 97601  
PHONE: (541) 882-3451